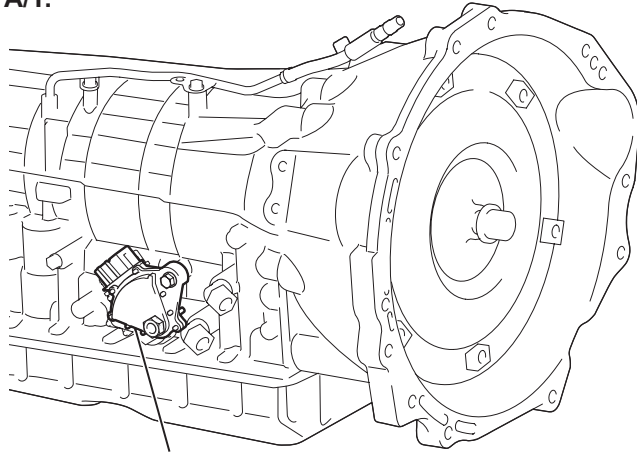


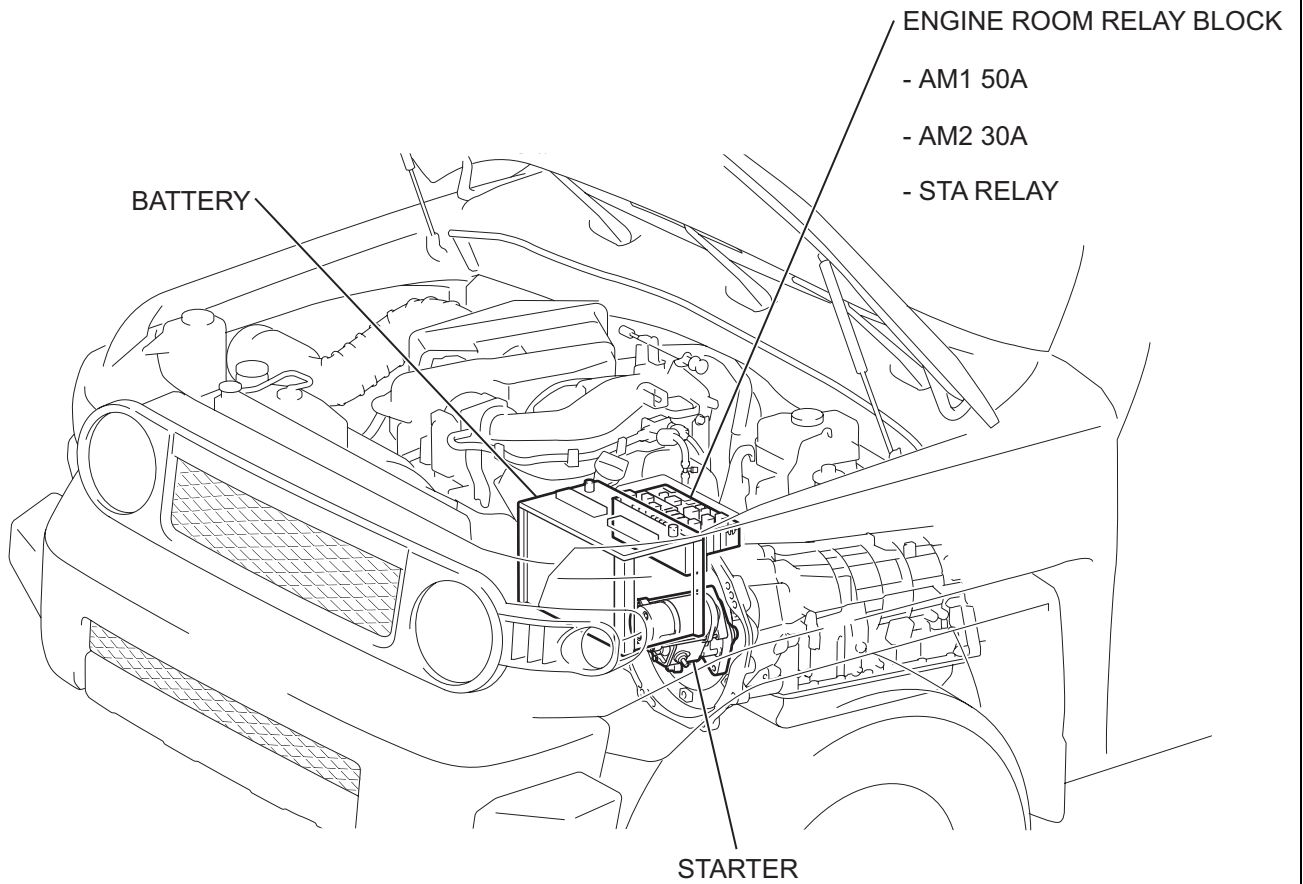
STARTING SYSTEM

PARTS LOCATION

for A/T:



PARK/NEUTRAL POSITION SWITCH



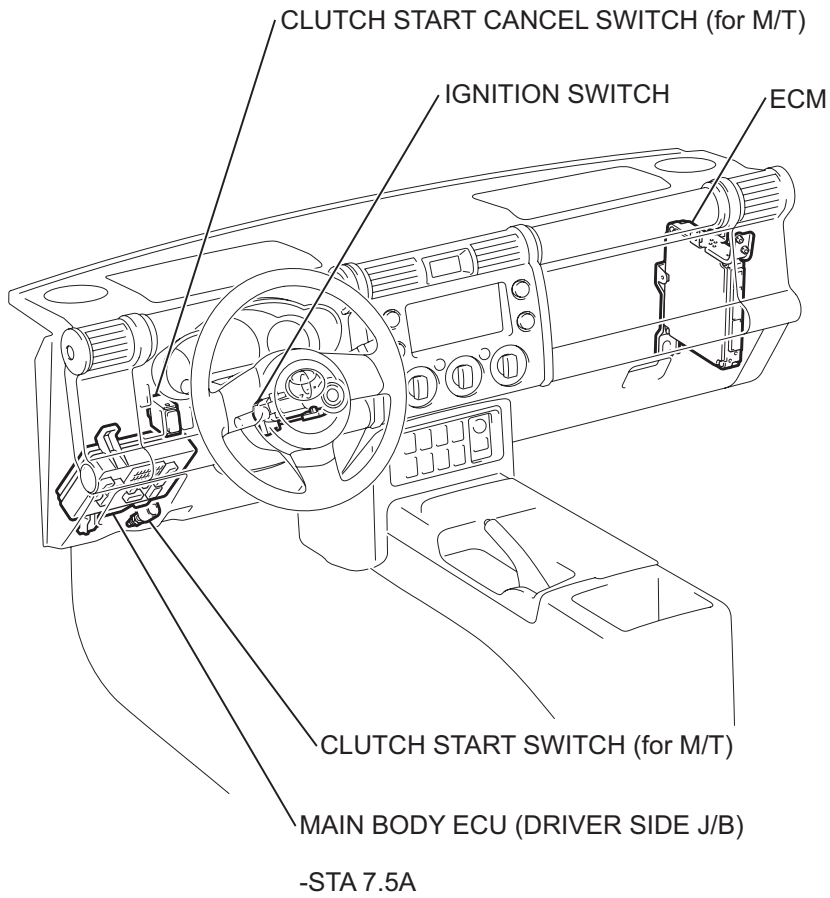
ENGINE ROOM RELAY BLOCK

- AM1 50A
- AM2 30A
- STA RELAY

BATTERY

STARTER

ST



ST